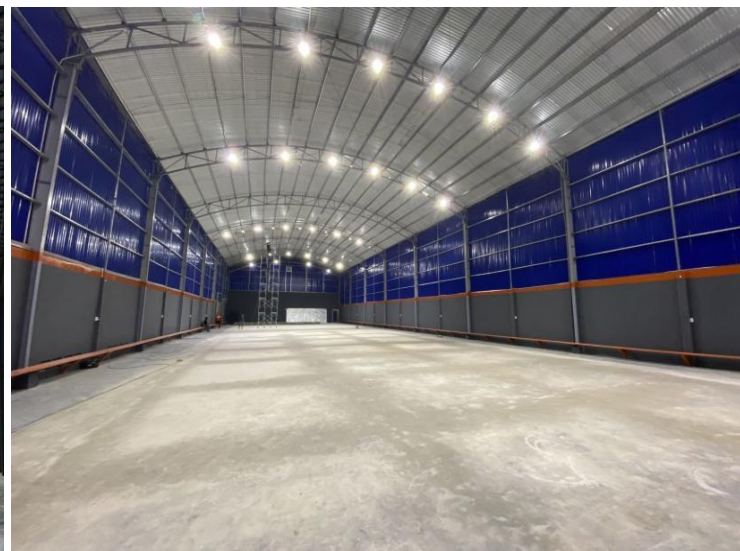
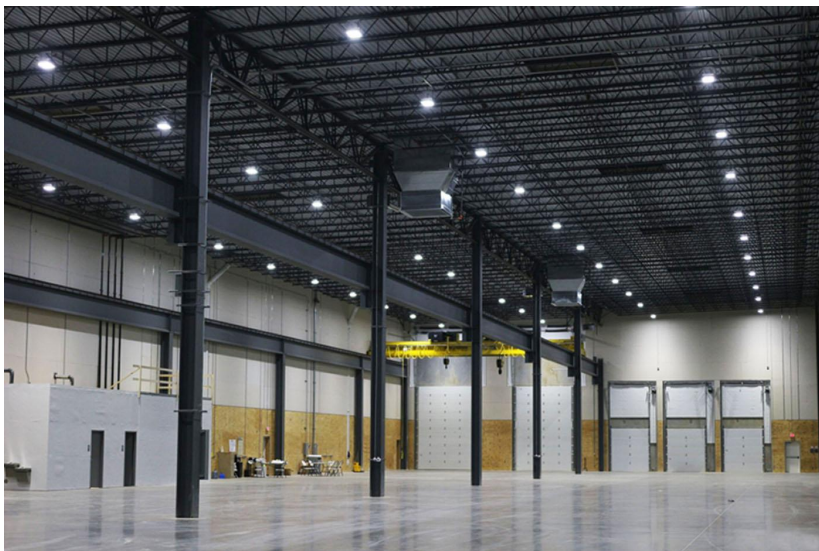


# COB High Power LED Flood Light



## Product Features:

1. High brightness and maintained high luminous flux, showcasing exceptional light control capabilities for precise lighting distribution and glare prevention.
2. Exceptional longevity with a 5-year warranty, ensuring reliable performance for extended periods.
3. Utilizes COB light sources, delivering over 60% energy savings compared to traditional lighting fixtures at the same illuminance level. Demonstrates ultra-low light decay, with a luminous flux maintenance rate of over 90% within 5 years.
4. Provides superior protection through professional waterproof connectors and a special sealing structure, achieving IP65 waterproof and dustproof ratings. These features make our industrial lights suitable for high-temperature, high-humidity, and high-dust environments.
5. Incorporates high borosilicate glass lens material to prevent yellowing over time, ensuring long-lasting performance.
6. Our industrial lighting series is an ideal choice for industrial lighting applications, offering high brightness, precise light distribution, and outstanding durability.

# COB High Power LED Flood Light

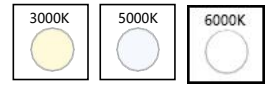
## COB HIGH POWER LED HIGH BAY LIGHT 100W



### Specifications

Power: 100W  
 Material: Aluminum  
 Optical Accessories: Lens  
 Driver: Built-in  
 Input Voltage: 100-277V ~ 50/60Hz  
 Power Factor:  $\geq 0.9$   
 Operating Temperature:  $-40^{\circ}\text{C} \sim +55^{\circ}\text{C}$ ,  $-40^{\circ}\text{F} \sim +131^{\circ}\text{F}$   
 LED Lifetime:  $\geq 85,000$ hrs  
 Driver Lifetime:  $\geq 50,000$ hrs  
 Warranty: 5 years

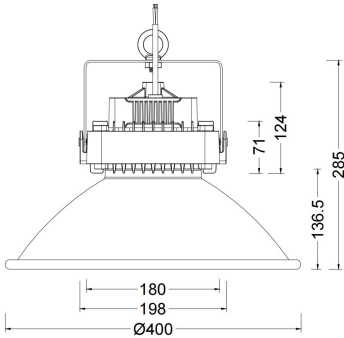
### Color Temperature



### Beam Angle

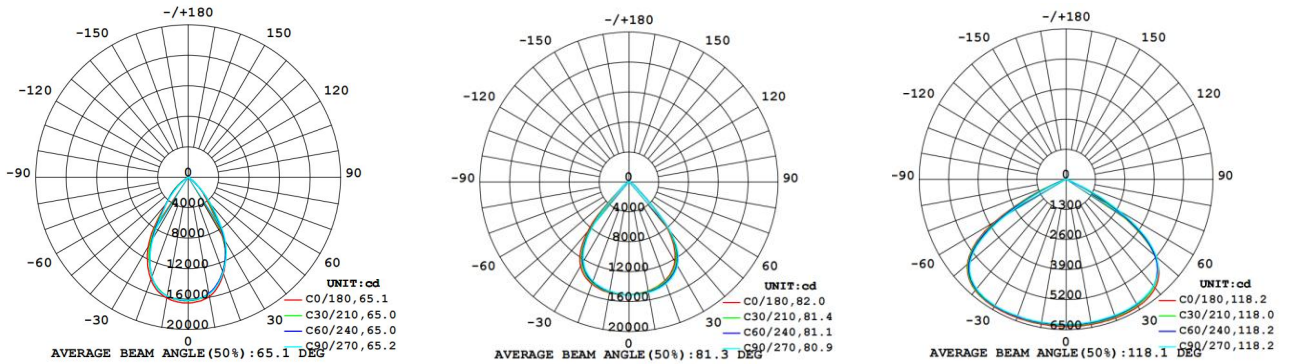


CE IP65 LM80

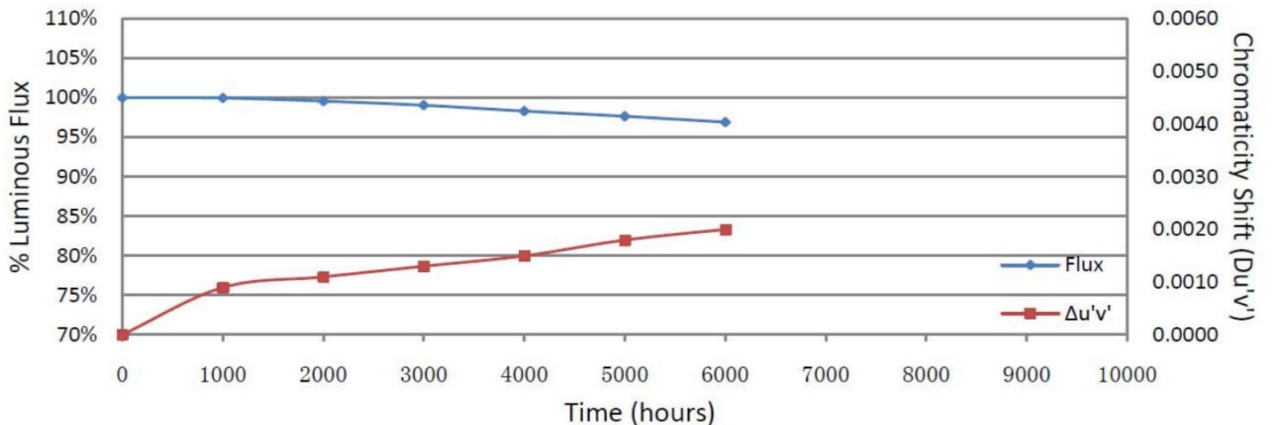


Model No.	Power (W)	Luminous Flux (lm)	Luminous Efficacy (lm/W)	Color Temperature (K)	CRI (Ra)	Beam Angle (°)	Driver	Warranty (Years)
AD-GK1100W	100W	14000	140	2700K-6500K	$\geq 80$	60	With	5 Years
AD-GK1100W	100W	14000	140	2700K-6500K	$\geq 80$	90	With	5 Years
AD-GK1100W	100W	147000	140	2700K-6500K	$\geq 80$	120	With	5 Years

### Light Distribution Curve



The Environmental Temperature is  $25^{\circ}\text{C}$ , and Natural Convection is Occurring.



# COB High Power LED Flood Light

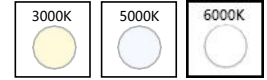
## COB HIGH POWER LED HIGH BAY LIGHT 150W



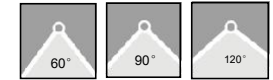
### Specifications

Power: 150W  
 Material: Aluminum  
 Optical Accessories: Lens  
 Driver: Built-in  
 Input Voltage: 100-277V ~ 50/60Hz  
 Power Factor:  $\geq 0.9$   
 Operating Temperature:  $-40^{\circ}\text{C} \sim +55^{\circ}\text{C} / -40^{\circ}\text{F} \sim +131^{\circ}\text{F}$   
 LED Lifetime:  $\geq 85,000$ hrs  
 Driver Lifetime:  $\geq 50,000$ hrs  
 Warranty: 5 years

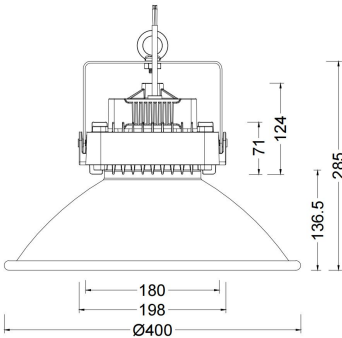
### Color Temperature



### Beam Angle

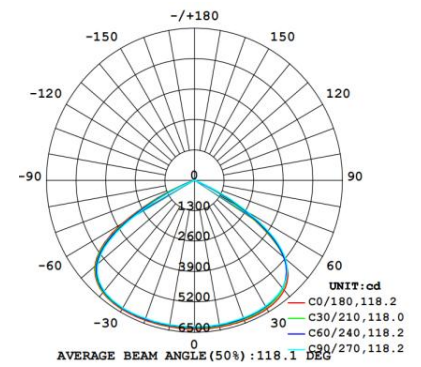
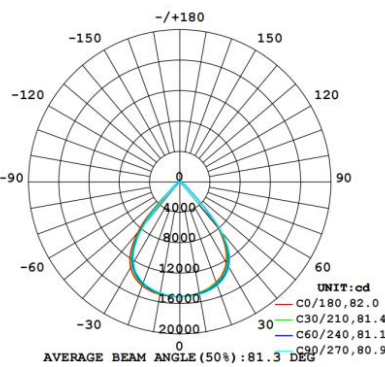
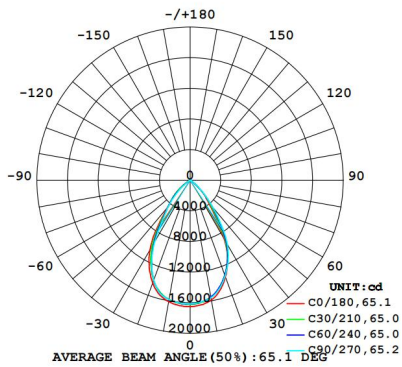


CE IP65 LM80



Model No.	Power (W)	Luminous Flux (lm)	Luminous Efficacy (lm/W)	Color Temperature (K)	CRI (Ra)	Beam Angle (°)	Driver	Warranty (Years)
AD-GK01150W	150W	19500	130	2700K-6500K	$\geq 80$	60	With	5 Years
AD-GK01150W	150W	19500	130	2700K-6500K	$\geq 80$	90	With	5 Years
AD-GK01150W	150W	19500	130	2700K-6500K	$\geq 80$	120	With	5 Years

### Light Distribution Curve



The Environmental Temperature is 25°C, and Natural Convection is Occurring.

